

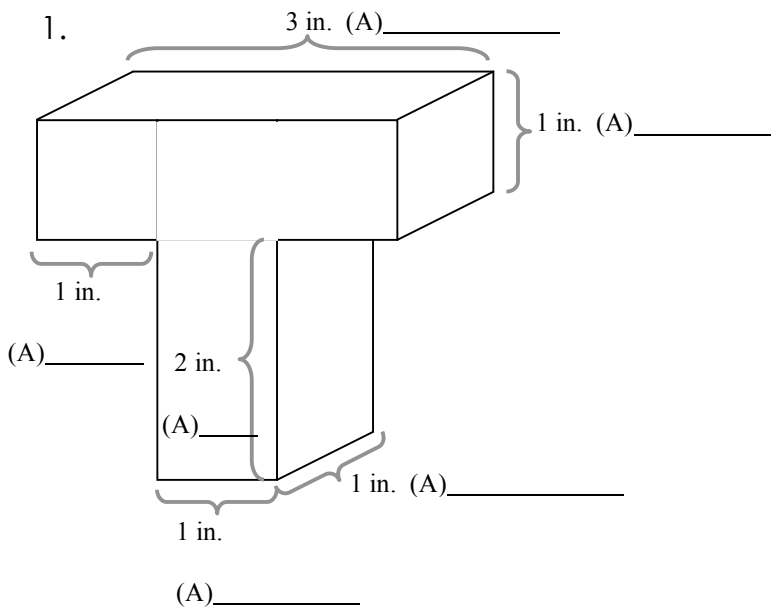


NAME: \_\_\_\_\_

DATE: \_\_\_\_\_ SECTION: \_\_\_\_\_

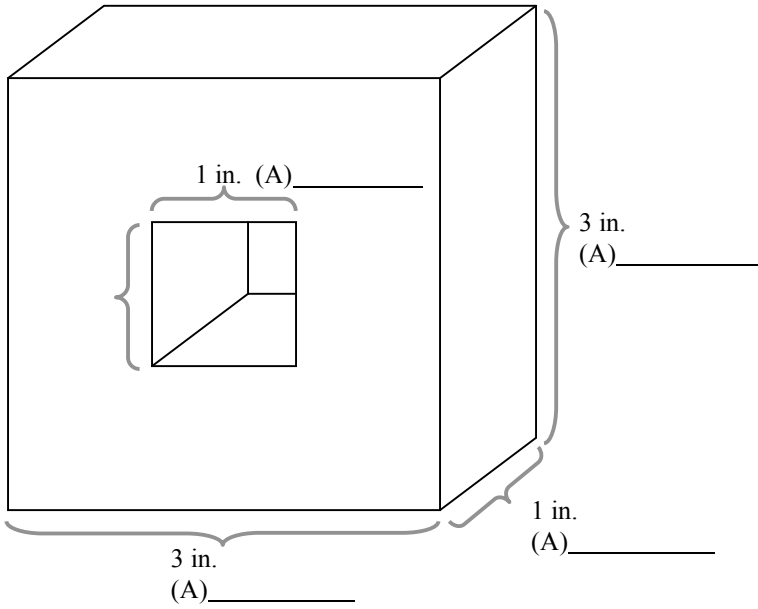
# Scale, Volume, and Surface Area

**INSTRUCTIONS:** Show all your work (use a calculator, but write down what you did in each step.) Put a **BOX** around your answers and include UNITS!



- (A) Change the measurements to a 1:2 scale.
- (B) Draw this figure orthographically, using the scaled-down measurements. Label it!
- (C) Find the surface area.
- (D) Find the volume.

2.



- (A) Change the measurements to a 1:2 scale.
- (B) Draw this figure orthographically, using the scaled-down measurements. Label it!
- (C) Find the surface area.
- (D) Find the volume.